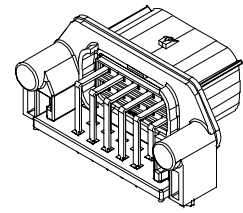
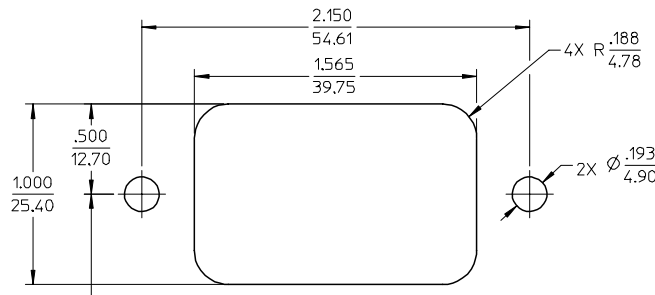
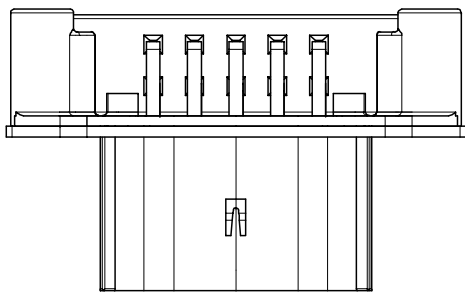


13 12 11 10 9 8 7 6 5 4 3 2 1

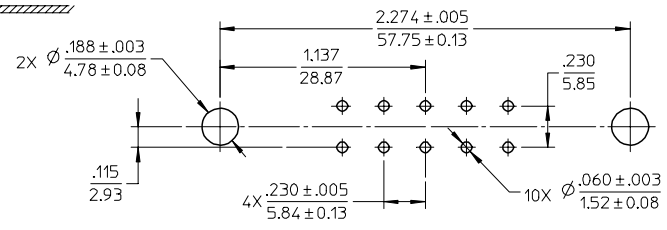
RECOMMENDED PANEL MOUNT OPENING
MAX PANEL THK .080/2.03



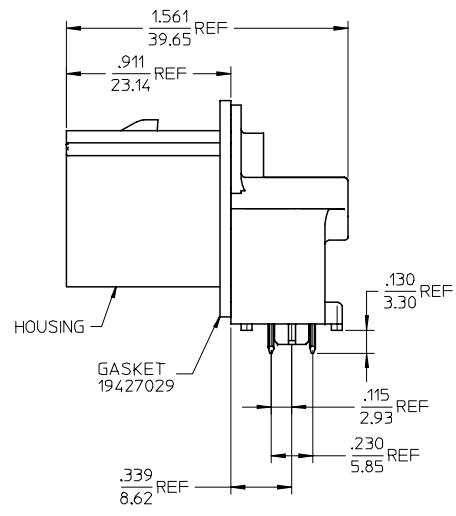
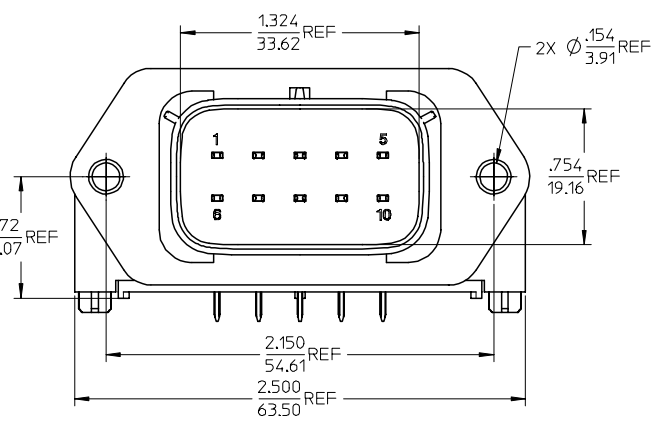
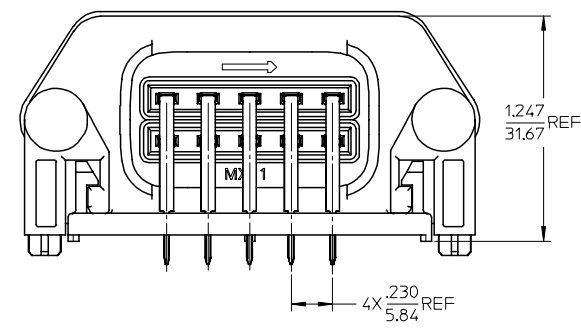
ASSEMBLED VIEW
1:1 SCALE



.672
17.07
TOP OF PCB



RECOMMENDED PCB LAYOUT
COMPONENTS SIDE
TOLERANCES ARE NON-ACCUMULATIVE



HOUSING
GASKET
19427029

NOTES:

- MATERIALS:
HOUSING: POLYESTER (PBT), GLASS FILLED, UL94 V-0, COLOR: BLACK
TERMINALS: COPPER ALLOY
- FINISHES: 1. TIN ONLY: 100µM TIN OVER 50µM NICKEL
2. TIN/GOLD: 30µM SELECT GOLD (CONTACT MATING AREA), 100µM SELECT TIN (PCB TAIL AREA) OVER 50µM NICKEL OVERALL.
- PRODUCT SPECIFICATION: PS-19427-001.
- PACKAGING SPECIFICATION: PK-19427-001.
- MATES WITH: 19418 SERIES RECEPTACLE ASSEMBLIES.
- RECOMMENDED MOUNTING HARDWARE: (2) #10 X .62/18.9 LONG PLASTIC THREAD CUTTING SCREWS, RECOMMENDED TORQUE 15-17 IN-LBS. SUGGESTED SOURCE: ITW SHAKEPROOF INDUSTRIAL BOSSCREW OR EQUIVALENT.

| | |
|--------------|------------------|
| MATERIAL NO. | TERMINAL PLATING |
| 194270031 | TIN |
| 194270104 | TIN/GOLD |

| | | | | | | | | |
|---|-------------|-----------------------|---|-----------------|--------------------|--------------|------------------------------------|--|
| REVISED EFC NO: ETC2006-0028 2005/10/10 DRAWN: JPAWLICK 2005/10/11 CHKD: JPAWLICK 2005/10/11 APPR: RDEROSS 2005/10/11 | DESCRIPTION | QUALITY SYMBOLS | GENERAL TOLERANCES (UNLESS SPECIFIED) | DIMENSION STYLE | SCALE | DESIGN UNITS | THIRD ANGLE PROJECTION | |
| | | ▽=0 | mm INCH | IN/MM | 2:1 | INCH | ☉ | |
| | | ▽=0 | 4 PLACES ± --- ± --- | DRAWN BY | DATE | TITLE | 10 WAY RIGHT ANGLE HEADER ASSEMBLY | |
| | | | 3 PLACES ± --- ± .015 | BRUPERT | 04/07/28 | | | |
| | | 2 PLACES ± 0.38 ± --- | CHECKED BY | DATE | | | | |
| | | 1 PLACE ± --- ± --- | JPAWLICK | 04/07/28 | | | | |
| | | ANGULAR ± 1 ° | APPROVED BY | DATE | | | | |
| | | | RDEROSS | 04/07/28 | | | | |
| | | | MATERIAL NO. | DOCUMENT NO. | MOLEX INCORPORATED | | | |
| | | | | SD-19427-023 | | | SHEET NO. | |
| | | | DRAFT WHERE APPLICABLE MUST REMAIN WITHIN DIMENSIONS | | SEE CHART | | 1 OF 1 | |
| | | | THIS DRAWING CONTAINS INFORMATION THAT IS PROPRIETARY TO MOLEX INCORPORATED AND SHOULD NOT BE USED WITHOUT WRITTEN PERMISSION | | | | | |

12 11 10 9 8 7 6 5 4 3 2 1